

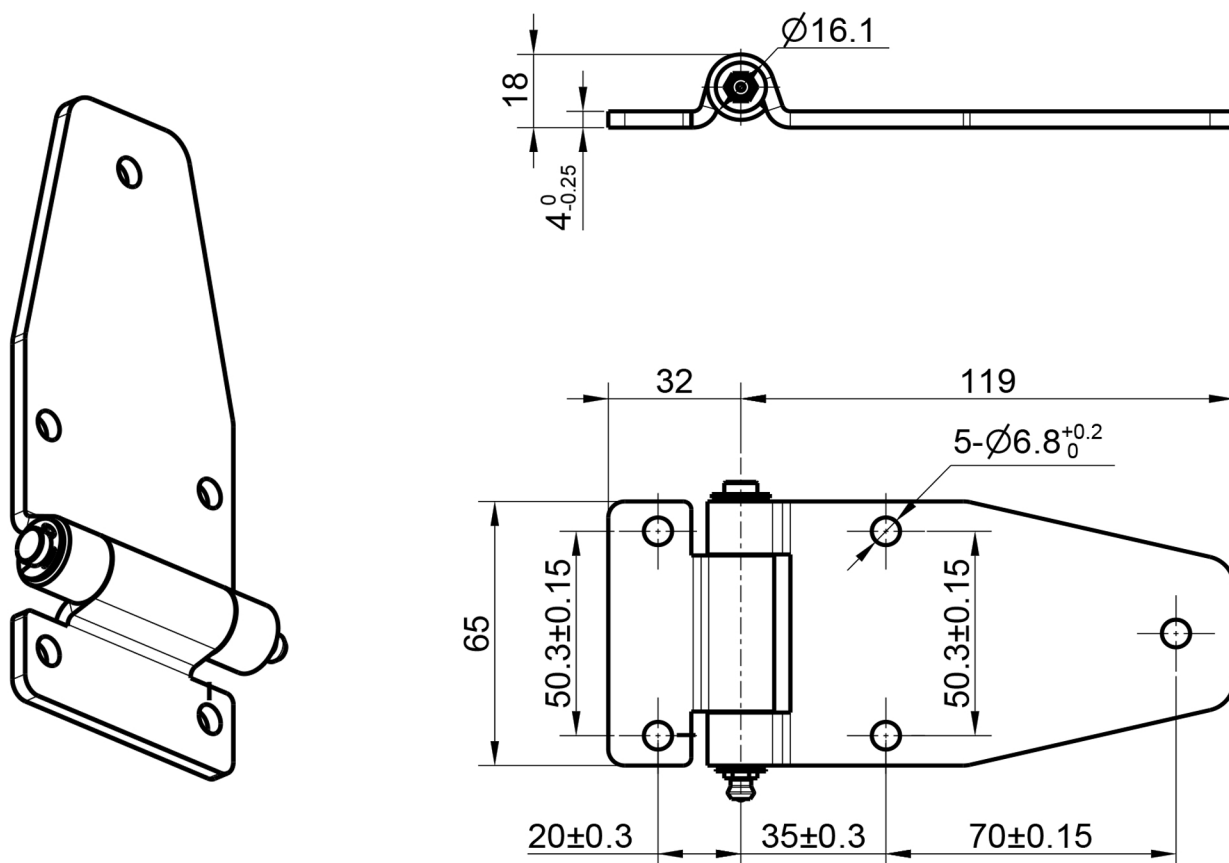
NS0708-21920ZP



Zinc plated short butt hinge

dimensions 151mm over all length x 65mm wide butt with taperd top leaf

Brass grease nipple lubrication fitting: The grease nipple fitting allows for easy lubrication to reduce friction and prevent wear. This is especially important for outdoor or heavy-duty hinges that may be exposed to elements or subject to frequent movement.



I.R.S.

Build With Quality

RUBBER
HARDWARE
TAPES
SEALANTS
CUTTING

1300 767 567

www.indrub.com.au