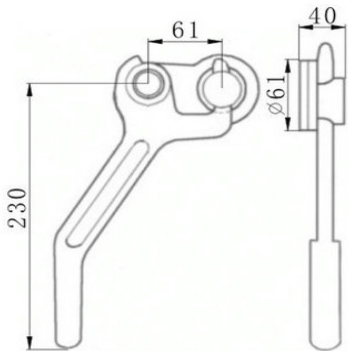


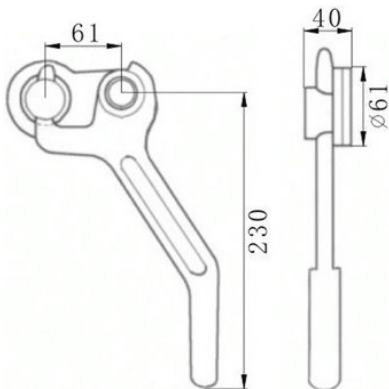
LOCKS & HANDLES

Tray side zinc plated latch + casting

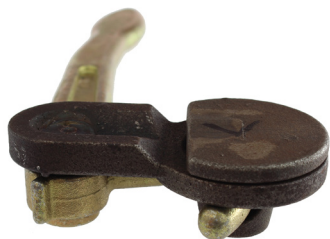
C101



- Material: Steel
- Weight: 1.3kg
- Surface treatment: Zinc plated



- Material: Steel
- Weight: 1.3kg
- Surface treatment: Zinc plated



PART NO.	DESCRIPTION
NS24LATCH-RH	Cast black steel catch, Tray side right-hand latch, Zinc plated arm
NS24LATCH-LH	Cast black steel catch, Tray side left-hand latch, Zinc plated arm



I.R.S.
Build With Quality

RUBBER
HARDWARE
TAPES
SEALANTS

1300 767 567

www.indrub.com.au