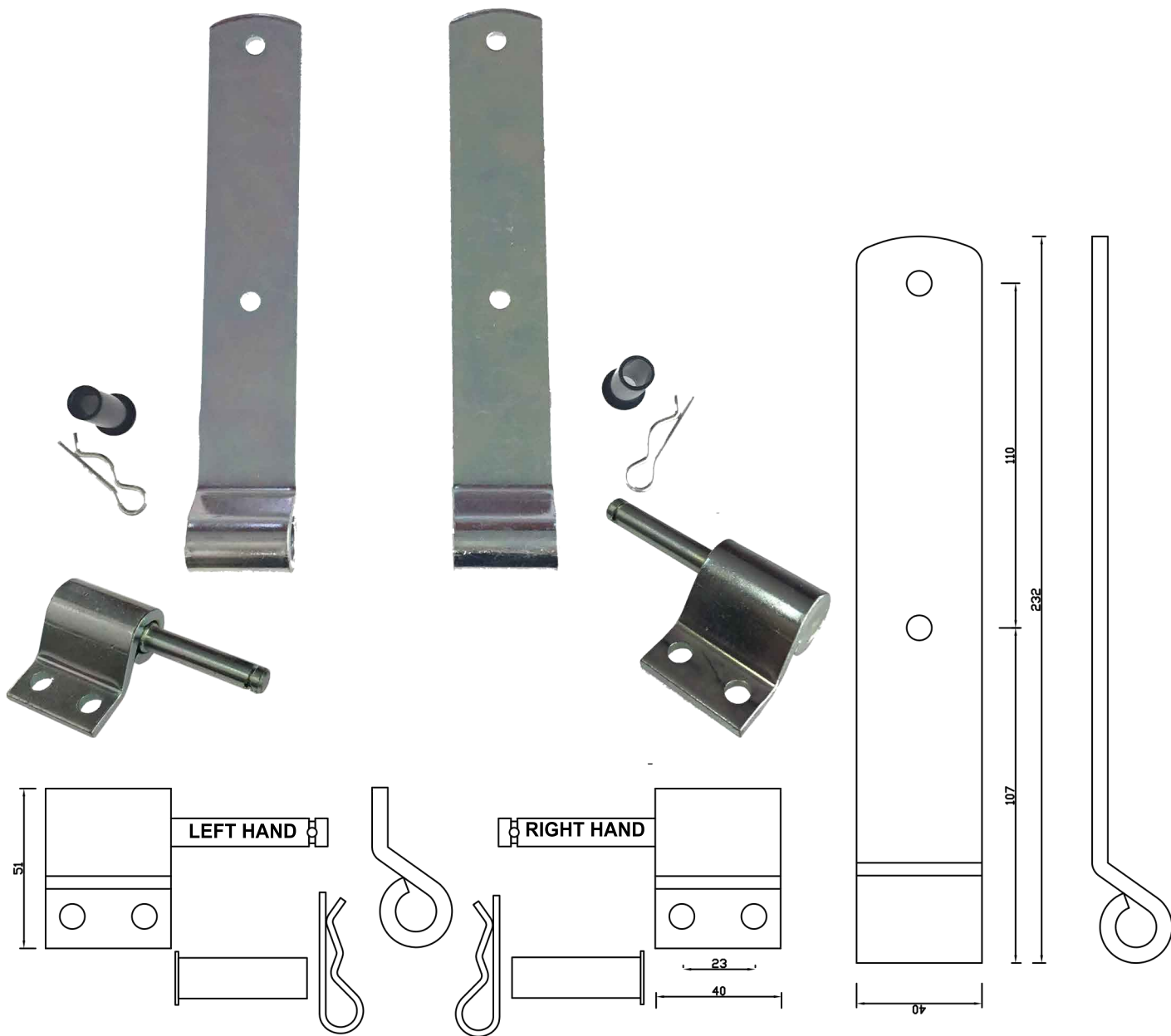


HINGES

D10

BHGY1154 HINGE KIT - LH/RH



PART NO.	DESCRIPTION	SIZE (MM)	COLOR	TYPE
BHGY1154HINGKITLH	UTE Tail gate hinge kit zinc plated bolt on	232mm blade length	Zinc Plate Silver	Kit
BHGY1154HINGKITRH	UTE Tail gate hinge kit zinc plated bolt on	232mm blade length	Zinc Plate Silver	Kit



I.R.S.

Build With Quality

RUBBER
HARDWARE
TAPES
SEALANTS

1300 767 567

www.indrub.com.au